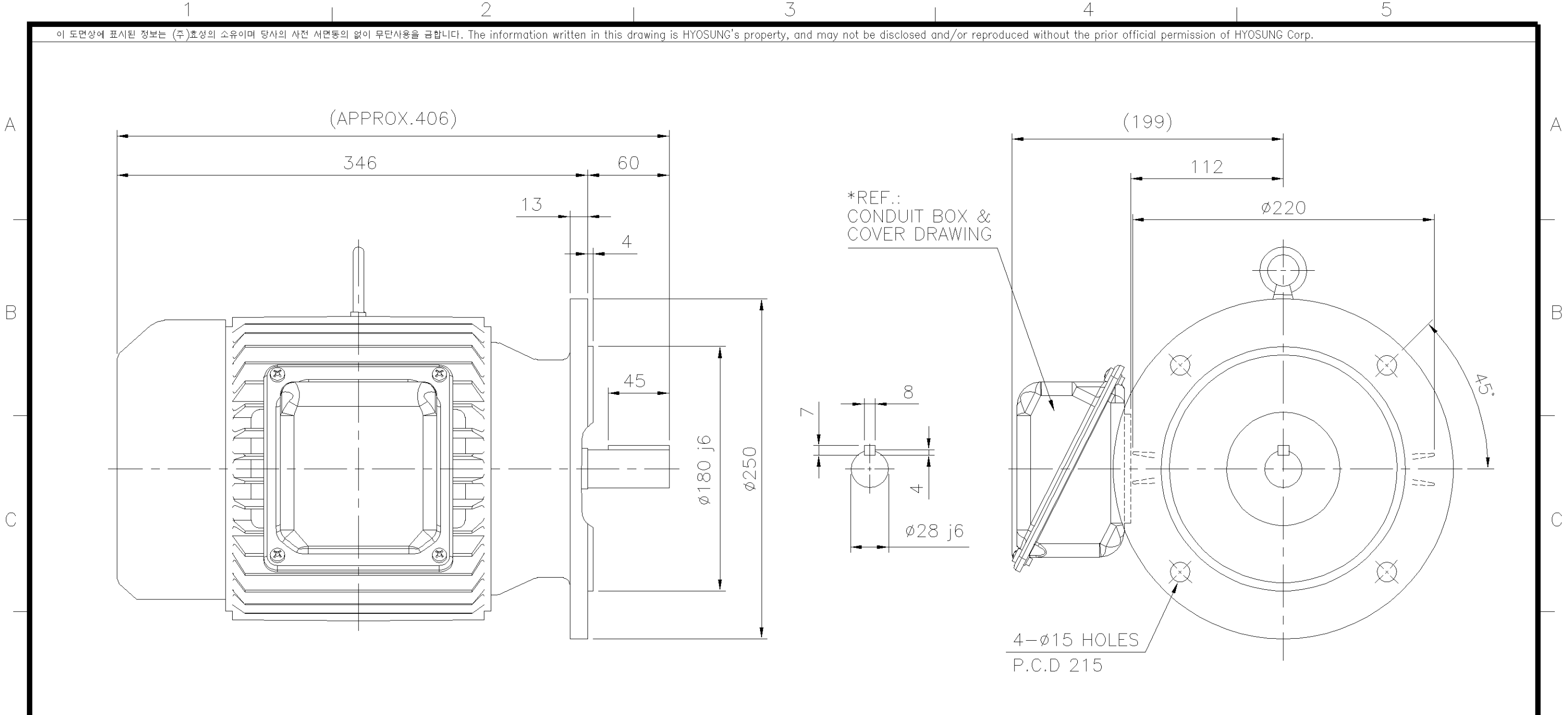


이 도면상에 표시된 정보는 (주)효성의 소유이며 당사의 사전 서면동의 없이 무단사용을 금합니다. The information written in this drawing is HYOSUNG's property, and may not be disclosed and/or reproduced without the prior official permission of HYOSUNG Corp.



<NOTE>

- 1) THE CONDUIT BOX CAN BE LOCATED ON OPPOSITE SIDE IF CUSTOMER WANTS IT.
- 2) THE CONDUIT BOX MAY BE ROTATED STEPS OF 90°.
- 3) STEEL HOOD & STEEL C/B.
- 4) UNIT : mm.

TYPE AC MOTOR TE-F/EP-F FR.100L					DWG. NAME OUTLINE DIMENSIONS				
DRAWN	DESIGN	CHECKED	REVIEWED	APPROVED		SCALE	1/4	DATE	2011-03-17
					REF. DWG. NO.				UNIT mm
					DWG. NO.	DSMK11297H03			