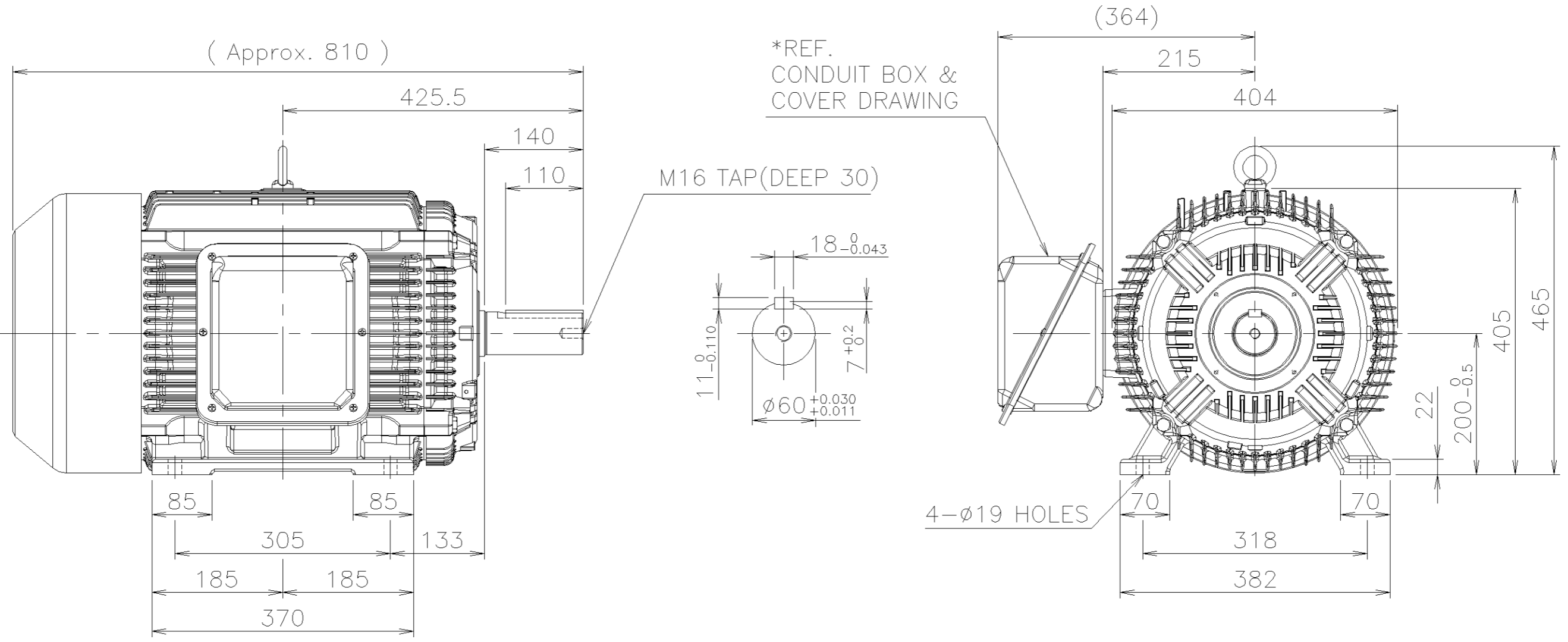


이 도면상에 표시된 정보는 (주)효성의 소유이며 당사의 사전 서면동의 없이 무단사용을 금합니다. The information written in this drawing is HYOSUNG's property, and may not be disclosed and/or reproduced without the prior official permission of HYOSUNG Corp.

A  
B  
C  
D  
E



<NOTE>  
1) THE CONDUIT BOX MAY BE ROTATED STEPS OF 90°  
2) STEEL HOOD & STEEL C/B.

TYPE A.C MOTOR TEFC FR.200L 4P~					DWG. NAME OUTLINE DIMENSIONS				
DRAWN	DESIGN	CHECKED	REVIEWED	APPROVED		SCALE	1/9	DATE	2011-03-17
					REF. DWG. NO.				UNIT mm
					DWG. NO.	DMMK10924H02			